

Fig. No. 0929 Series Rim Latch Sets Regular Bevel with Box Strike
 Fig. No. 0968 Series Rim Latch Sets Regular Bevel with Flush Strike
 Fig. No. 1029 Series Rim Latch Sets Reverse Bevel with Box Strike
 Fig. No. 1068 Series Rim Latch Sets Reverse Bevel with Flush Strike

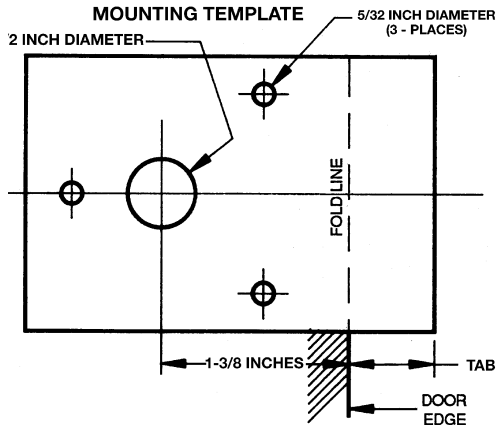
INSTALLATION INSTRUCTIONS

Read all instructions before proceeding.

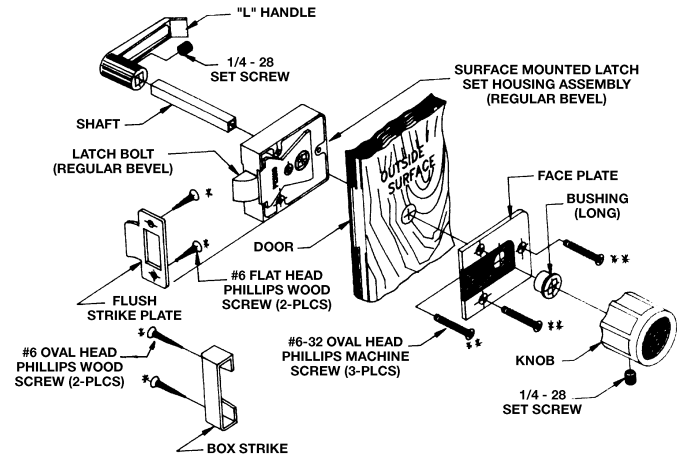
TOOLS REQUIRED: 1/2 inch diameter drill, 5/32 inch diameter drill,
 Phillips screwdriver, 1/8 hex key (supplied)

These surface mounted latch sets are designed to be mounted on the surfaces of doors 1/2 inch to 1 inch thick.

- 1). Cut out template below. Fold on dotted line. Place template on door at desired height on the side to have the latch set. The fold tab should overlap the door edge.
- 2). Mark centers of 1/2 inch and 5/32 inch diameter holes.
- 3). Drill 1/2 inch and 5/32 inch diameter holes through door.
- 4). Assemble shaft to "L" handle with set screw.
- 5). Insert "L" handle shaft through latch set housing assembly.
- 6). Insert end of "L" handle shaft through 1/2 inch diameter hole in door.
- 7). Place faceplate on opposite side of door.
- 8). Place bushing over end of "L" handle shaft. Push body of bushing through large hole in faceplate.
- 9). Select screw length based on door thickness. Use short screws for 1/2 inch to 3/4 inch doors or longer screws for 3/4 inch to 1 inch doors.
- 10). Align and fasten latch set housing assembly and faceplate to door with (3) #6-32 oval head machine screws selected above.
- 11). Attach knob to "L" handle shaft and tighten set screw.
- 12). Mount strike plate or box strike to door frame with (2) #6 oval head or flat head wood screws (not supplied).



SURFACE MOUNTED LATCH SET



SPARE PARTS

Complete Latch Set	Strike Plate	Knob and Handle Assembly	Regular Bevel With Cam	Reverse Bevel With Cam
0929000CHR	0977000CHR	0995000CHR	0984000CHR	0920000CHR
0929DP0CHR				
0968000CHR	0912000CHR	0995000CHR	0984000CHR	0920000CHR
0968DP0CHR				
1029000CHR	0977000CHR	0995000CHR	0984000CHR	0920000CHR
1068000CHR	0912000CHR	0995000CHR	0984000CHR	0920000CHR

* These screws are not supplied by PERKO.
 ** These are PERKO Supplied Screws.
 (See Instruction No. 9 to select proper screw length to match door thickness.)

3/05
 929INS1

PERKO, Inc
 16490 N.W. 13th Avenue
 Miami, FL 33169-5707
 www.perko.com